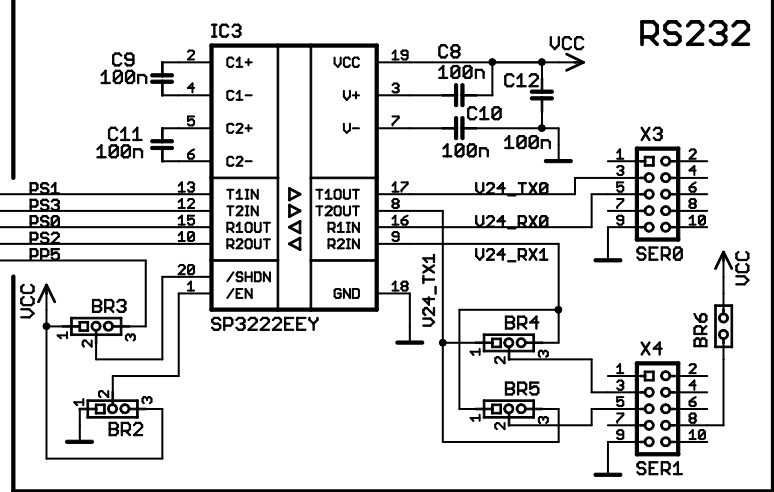
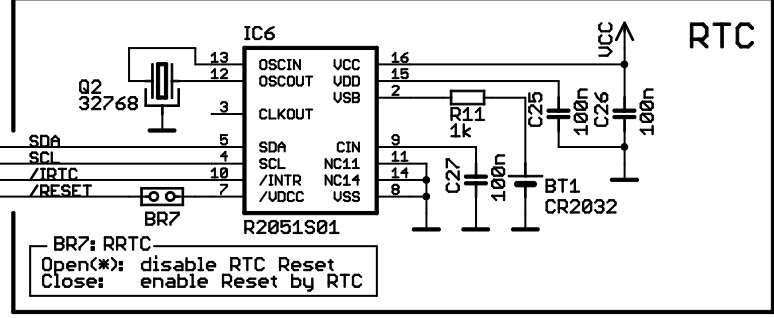
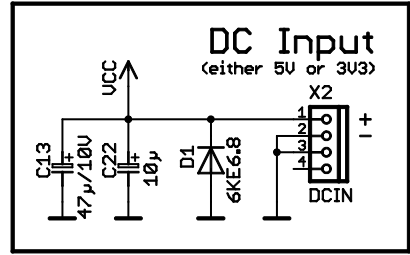


IC1		MC9S12E128CPU	
UDDR	48	TEST	48
USSR	102	VDD1	102
UDDX	101	VSS1	101
USSX	69	VDD2	69
	14	VSS2	70
BKGD	23	UDDa	83
/RESET	42	USSA	86
EXTAL	16	URH	84
XTAL	47	URL	85
XFC	14	PAD00	75
UDDPLL	43	PAD01	76
USSPLL	45	PAD02	77
		PAD03	78
/XIRQ	56	PAD04	79
/IRQ	55	PAD05	80
R/W	54	PAD06	81
/LSTRB	53	PAD07	82
ECLK	39	PAD08	87
MODA	38	PAD09	88
MODB	37	PAD10	89
/XCLKS	36	PAD11	90
		PAD12	91
PP0	112	PAD13	92
PP1	111	PAD14	93
PP2	110	PAD15	94
PP3	109	PS0	57
PP4	108	PS1	58
PP5	107	PS2	59
		PS3	60
PQ0	6	PS4	61
PQ1	7	PS5	62
PQ2	8	PS6	63
PQ3	9	PS7	64
PQ4	20	PT0	24
PQ5	21	PT1	25
PQ6	22	PT2	26
		PT3	27
PK0	97	PT4	28
PK1	98	PT5	29
PK2	99	PT6	30
PK3	100	PT7	31
PK4	103	PU0	32
PK5	104	PU1	33
PK6	105	PU2	51
PK7	106	PU3	52
		PU4	34
PB0	10	PU5	35
PB1	11	PU6	49
PB2	12	PU7	50
PB3	13	DM0	95
PB4	16	DM1	96
PB5	17	PM3	1
PB6	18	PM4	2
PB7	19	PM5	3
PA0	65	PM6	4
PA1	66	PM7	5
PA2	67		
PA3	68		
PA4	71		
PA5	72		
PA6	73		
PA7	74		



- BR2: RxOUT
1-2(*): RxOUT drives PS0/PS2
2-3: tristate R10OUT/R20UT
- BR3: SHDN
1-2(*): IC3 always enabled
2-3: PP5 dis-/enables IC3
- BR4/BR5: X4MOD
1-2(*): Connect to PC
2-3: Connect to LCD
- BR6: X4PWR
close to supply LCD (*=open)

LVCS12 Controller Module

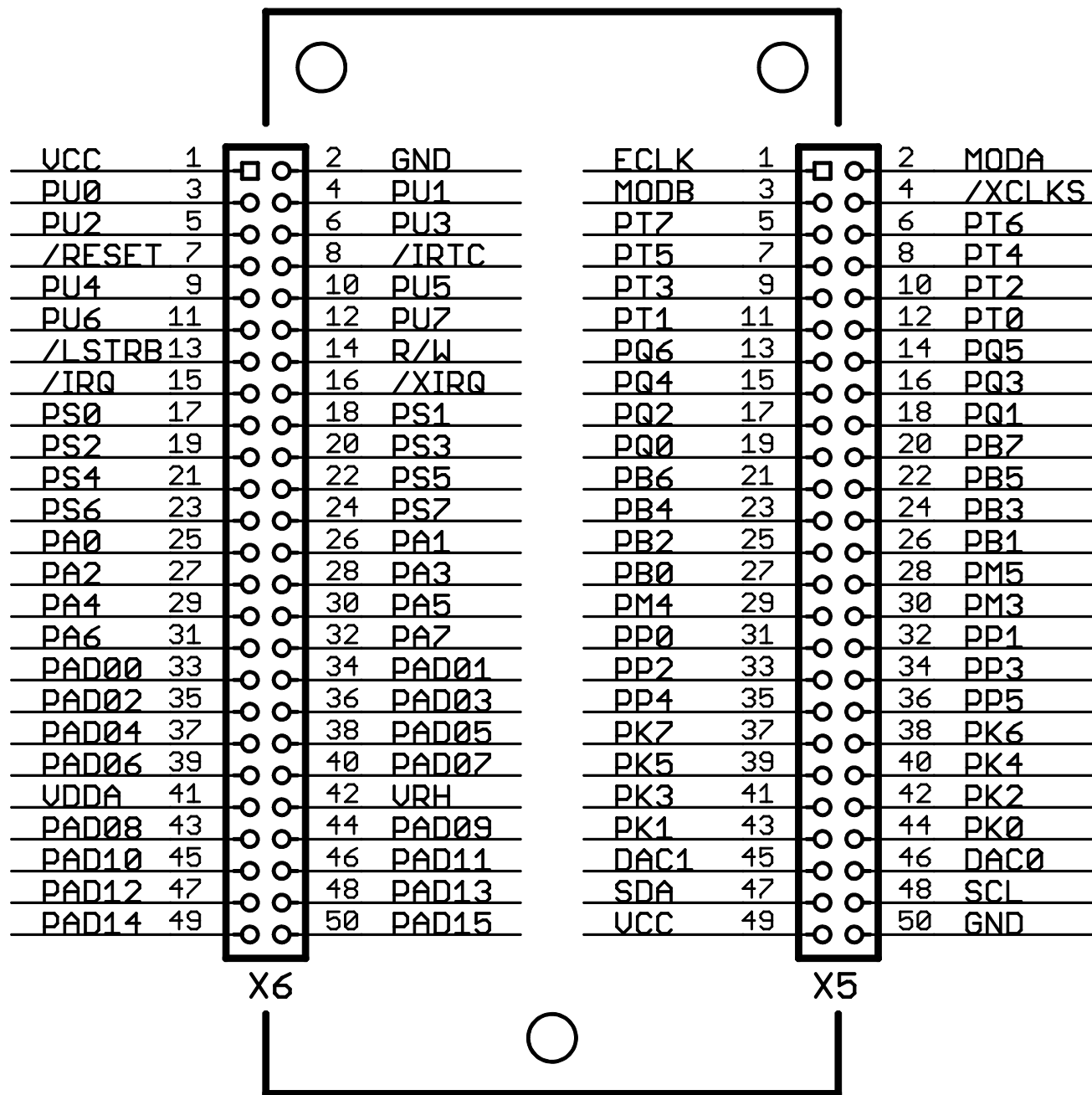
<http://elmicro.com/en/lvcs12.html>

(C)2003-2008 by Oliver Thamm
Elektronikladen | ELMICRO

Date: 18.06.2008 17:26:42

Sheet: 1/2

REV: 1.10a



LVCS12
Module Pinout