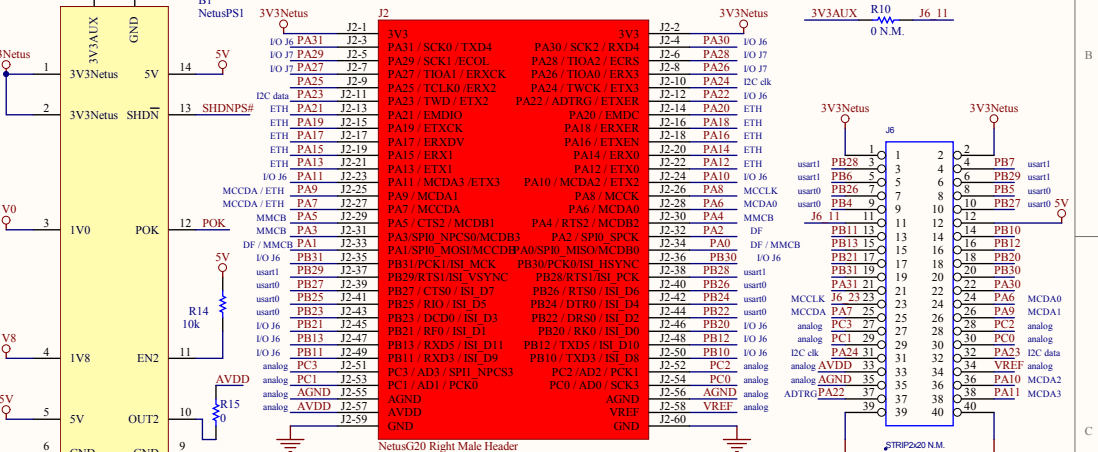
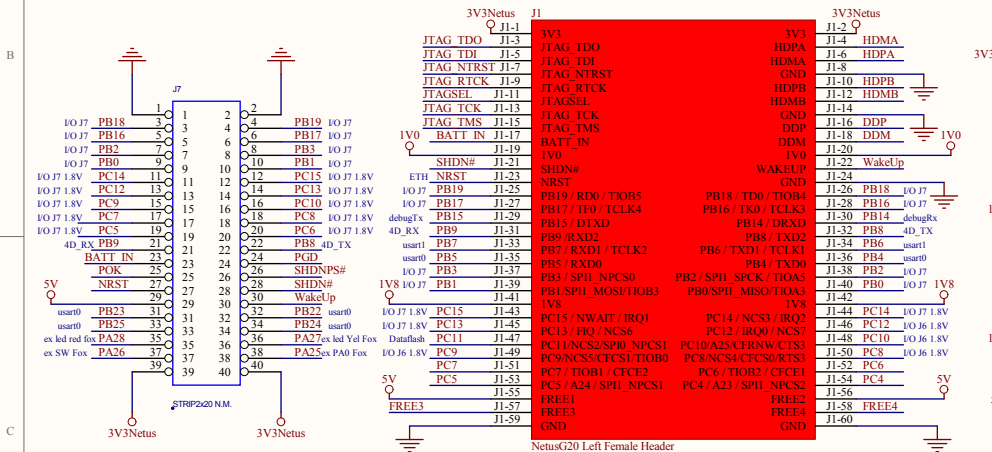
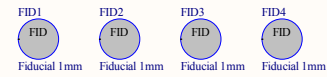
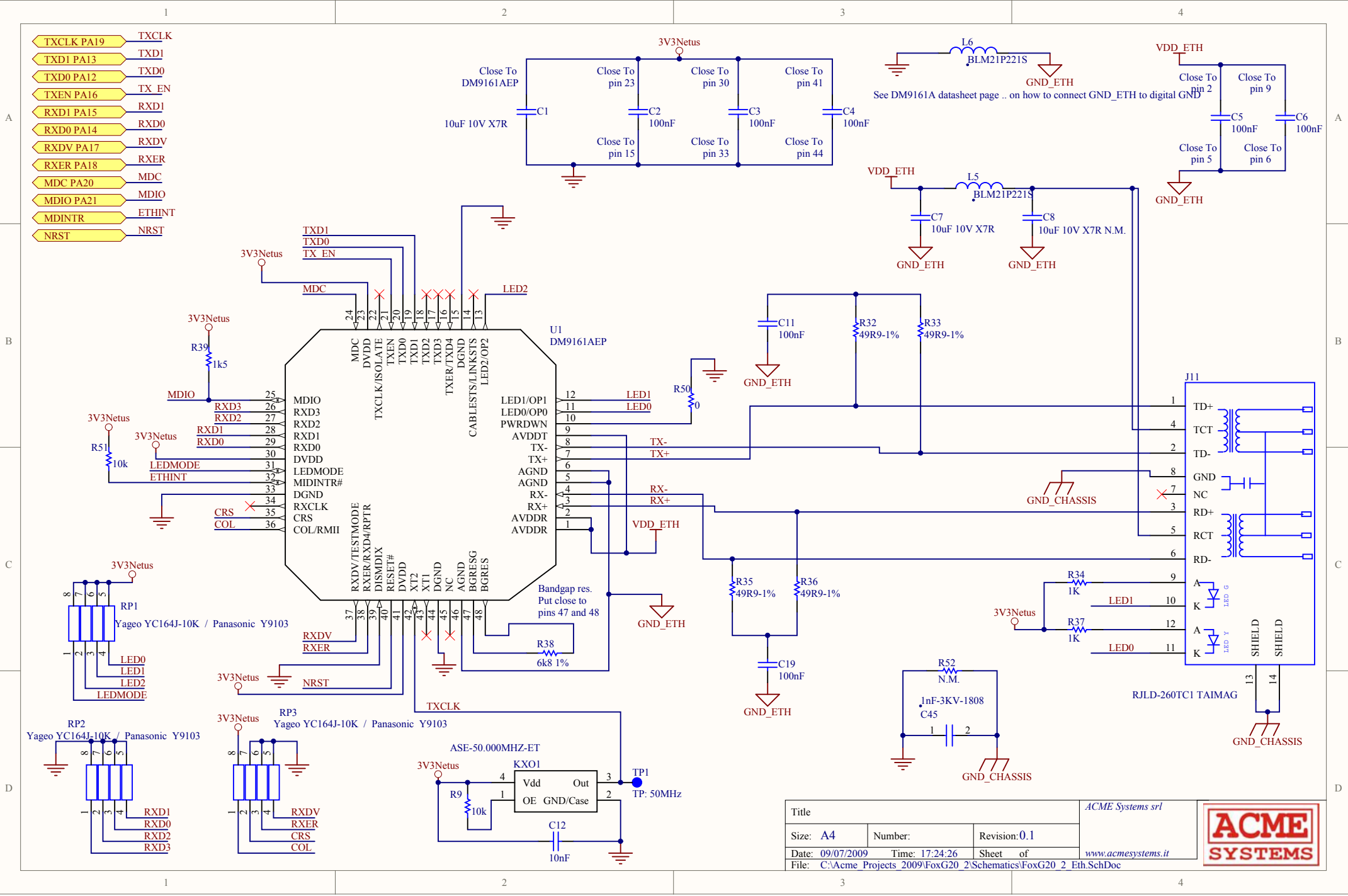


PA19	TXCLK PA19
PA13	TXD1 PA13
PA12	TXD0 PA12
PA16	TXEN PA16
PA15	RXD1 PA15
PA14	RXD0 PA14
PA17	RXDV PA17
PA18	RXRER PA18
PA20	MDC PA20
PA21	MDIO PA21
ETHINT	MDINTR
NRST	NRST



USE	IO	USE	IO	USE	IO
PA0 SPI_MISO / MCD80	DATAFLASH / MMCB	PB0 SPI_MISO / TIOA3	IO J7	PC0 AD0 / SCK3	IO J6 1.8V
PA1 SPI_MOSI / MCCDB	DATAFLASH / MMCB	PB1 SPI_MOSI / TIOB3	IO J7	PC1 AD1 / PCK0	IO J6 1.8V
PA2 SPI_SPCK /	DATAFLASH / MMCB	PB2 SPI_SPCK / TIOA4	IO J7	PC2 AD2 / PCK1	IO J6 1.8V
PA3 SPI_NPCS0 / MCD83	MMCB	PB3 SPI_NPCS0 / TIOA5	IO J7	PC3 AD3 / SPI_NPCS3	IO J6 1.8V
PA4 RTS2 / MCD82	MMCB	PB4 TXD0 /	J6 1.8V	PC4 A23 / SPI_NPCS1	IO J6 1.8V SW
PA5 CTS2 / MCD81	MMCB	PB5 RXD0 /	J6 1.8V SW	PC5 A24 / SPI_NPCS1	IO J7 1.8V SW
PA6 MCD40 /	MCD40	PB6 TXD1 / TCLK1	J6 1.8V SW	PC6 TIOB2 / CFCE1	IO J7 1.8V SW
PA7 MCD41 /	ETHINT / MMCA	PB7 RXD1 / TCLK2	J6 1.8V SW	PC7 TIOB1 / CFCE2	IO J7 1.8V SW
PA8 MCK /	MCCLK A & B	PB8 TXD2 /	J6 4D_TX	PC8 NCS4 / CFS0 / RTS3	SWITCH
PA9 MCD41A /	ETHINT / MMCA	PB9 RXD2 /	J6 4D_RX	PC9 NCS5 / CFS1 / TIOB0	
PA10 MCD42 / ETX2	ETH / MMCA	PB10 TXD3 / ISL D8	IO J6	PC10 A25 / CFSRNV / CTS3	
PA11 MCD43 / ETX3	ETH / MMCA	PB11 RXD3 / ISL D9	IO J6	PC11 NCS2 / SPI0_NPCS1	CS_DATAFLASH
PA12 ETX0 /	ETH	PB12 TXD5 / ISL D10	IO J6	PC12 IR00 / NCS7	
PA13 ETX1 /	ETH	PB13 RXD5 / ISL D11	IO J6	PC13 FIQ / NCS6	
PA14 ERX0 /	ETH	PB14 DRXD /	J10-4 debugRx	PC14 NCS3 / NANDCS2 / IR02	
PA15 ERX1 /	ETH	PB15 DTXD /	J10-3 debugTx	PC15 WAIT / IR01	
PA16 ETXEN /	ETH	PB16 TKO / TCLK3	IO J7		
PA17 ERXD0 /	ETH	PB17 TIO / TCLK4	IO J7		
PA18 ERXER /	ETH	PB18 TDO / TIOB4	IO J7		
PA19 ETXCK /	ETH	PB19 RDO / TIOB5	IO J7		
PA20 EMDC /	ETH	PB20 RK0 / ISL D0	IO J6		
PA21 EMDIO /	ETH	PB21 RFO / ISL D1	IO J6		
PA22 ADTRG / ETXER	ETH	PB22 DR80 / ISL D2	J7-32 user0		
PA23 TWD / ETX2	J6-32 I2C data	PB23 DC00 / ISL D3	J7-31 user0		
PA24 TWCK / ETX3	J6-31 I2C clk	PB24 DTR0 / ISL D4	J7-34 user0		
PA25 TCLK0 / ERX2	ETH	PB25 R0 / ISL D5	J7-33 user0		
PA26 TIOA0 / ERX3	ETH	PB26 RTS0 / ISL D6	J6-7 user0		
PA27 TIOA1 / ERXCK	ETH	PB27 CTS0 / ISL D7	J6-10 user0		
PA28 TIOA2 / ECRS	ETH	PB28 RTS1 / ISL PCK	J6-3 user1		
PA29 SCK1 / ECOL	IO J6	PB29 CTS1 / ISL VSYNC	J6-6 user1		
PA30 SCK2 / RXD4	IO J6	PB30 PCK0 / ISL HSYNC	IO J6		
PA31 SCK0 / TXD4	IO J6	PB31 PCK1 / ISL MCK	IO J6		

- TXCLK PA19 TXCLK
- TXD1 PA13 TXD1
- TXD0 PA12 TXD0
- TXEN PA16 TX_EN
- RXD1 PA15 RXD1
- RXD0 PA14 RXD0
- RXDV PA17 RXDV
- RXER PA18 RXER
- MDC PA20 MDC
- MDIO PA21 MDIO
- MDINTR ETHINT
- NRST NRST



Title			ACME Systems srl
Size: A4	Number:	Revision: 0.1	
Date: 09/07/2009	Time: 17:24:26	Sheet of	
File: C:\Acme Projects 2009\FoxG20_2\Schematics\FoxG20_2_Eth.SchDoc			www.acmesystems.it



